

**Features:**

- \* Available in 2 thru 24 circuit housings
- \* Voltage rating 600V (R.M.S.)
- \* Current rating 9 Amps per circuit

**Specification:**

**Material:**

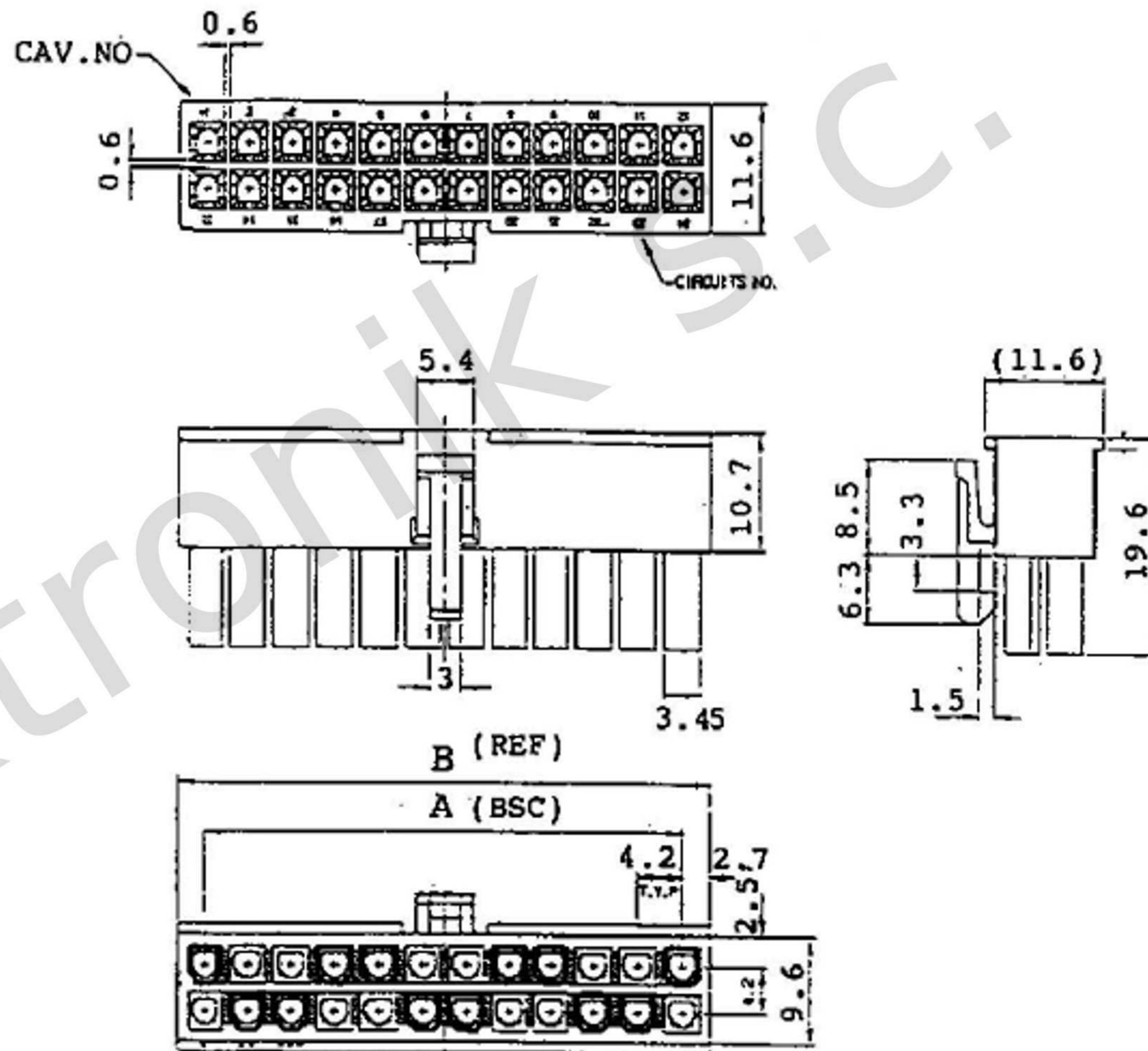
- \* UL 94V-2 nylon 66

**Electrical:**

- \* Voltage rating 600V AC/DC
- \* Current rating 9A max
- \* Withstanding Voltage: 1500V AC for 60 seconds
- \* Insulation Resistance: 1000M ohms min
- \* Temperature Rise: 30°C max
- \* Storage Temperature Range: -40°C to 105°C

**Dimensional Information -in.(mm)**

Circuits	Dim. A	Dim. B	Circuits	Dim. A	Dim. B
2		.221 ( 5.6)	14	.992 (25.2)	1.213 (30.8)
4	.165 ( 4.2)	.386 ( 9.8)	16	1.157 (29.4)	1.378 (35.0)
6	.331 ( 8.4)	.551 (14.0)	18	1.323 (33.6)	1.543 (39.2)
8	.496 (12.6)	.717 (18.2)	20	1.488 (37.8)	1.709 (44.1)
10	.681 (16.8)	.882 (22.4)	22	1.654 (42.0)	1.874 (47.6)
12	.827 (21.0)	1.047 (26.6)	24	1.819 (46.2)	2.039 (51.8)



Oznaczenie	JS-1149	
Opis	Mini-Fit dual row male 4,20mm	
	<b>WW elektronik s.c.</b> ul. Kraszewskiego 26 81-815 Sopot	Tel. 058 551-11-15 fax. 058 550-45-17 e-mail: <a href="mailto:info@wwelektronik.com.pl">info@wwelektronik.com.pl</a>
	<a href="http://www.wwelektronik.com.pl">www.wwelektronik.com.pl</a>	